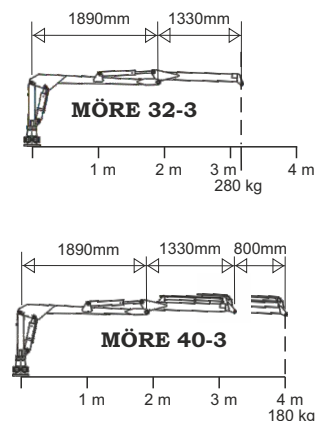


# Forestry Trailer 1,5 tonnes



**Forestry Trailer SF-2 with grapple loader** for ATVs and smaller tractors. Perfect for foresters, hunting parties, contractors and others. Stable chassis with pivoted supports. The crane has a well-refined movement pattern and is equipped with a hydraulic grapple and full-circle slewing rotator. The SF 2 can be equipped with a fuel-efficient and powerful Honda engine and a separate hydraulic system. Accessories also include a hydraulic drive, which powers all wheels and offers exceptional mobility in difficult terrain.

**Forestry trailer with centre frame, adjustable bogies, removable pivoted supports, easy-to-use valve block, retractable support legs, coupling for tow ball**



Complete forestry trailer	Price
SF-2/32-3 3,2m Art.nr 04109	61.100:-
SF-2/40-3 4m Art.nr 04245	71.800:-
SF-2W/40-3 4m Art.nr 04306	75.100:-

Technical data bogie	SF2/SF2W
Art.No	04113/04356
Load capacity tonnes	1,5/2
Width total, mm	1252/1520
Length total, mm	3809
Bunk area, m <sup>2</sup>	0,9/1,1
Inner length, mm	2400
Supports	4
Tow ring	no
Articulated steering	no
Axle, mm	40x40
Wheelbase, mm	1000/1200
Clearance, mm	350
Wheel equipment std	22x11.00-8
Weight, kg	150/170
Crane mount	Trailer

Technical data crane	32-3	40-3
Art.No	04112	04288
Reach, m	3,2	4
Lifting capacity, kg, at 4 m	-	-
Lifting capacity, kg, at full Reach	280	180
Extender	no	yes
Slewing cylinders std	2	4
Valve block std.	5/7XY	6/8XY
Rec. pump cap, l/min	-	-
Working pressure, bar	-	-
Turning angle, crane	170	170
Slewing, rotator	unlim.	unlim.
Grapple area m2	0,08	0,08
Weight, kg	150	170

Accessories trailer (additional price)	Price
<b>Four-wheel drive</b> Hydr. 2 rollers Wheels 22x11, 200cc Art.nr 04114	31.000:-
<b>Four-wheel drive</b> Hydr. 2 rollers Wheels 300/65-12, 400cc Art.nr 04363	36.200:-
<b>Cross-beam with 2 extra supports</b> Art.nr 04116	3.780:-

Accessories crane (additional price)	Price
<b>Crane winch</b> Radio-controlled Art.nr 04115	16.000:-
<b>Hydraulic unit</b> with Honda engine Art.nr 04110	15.500:-