

# Timber Grapple

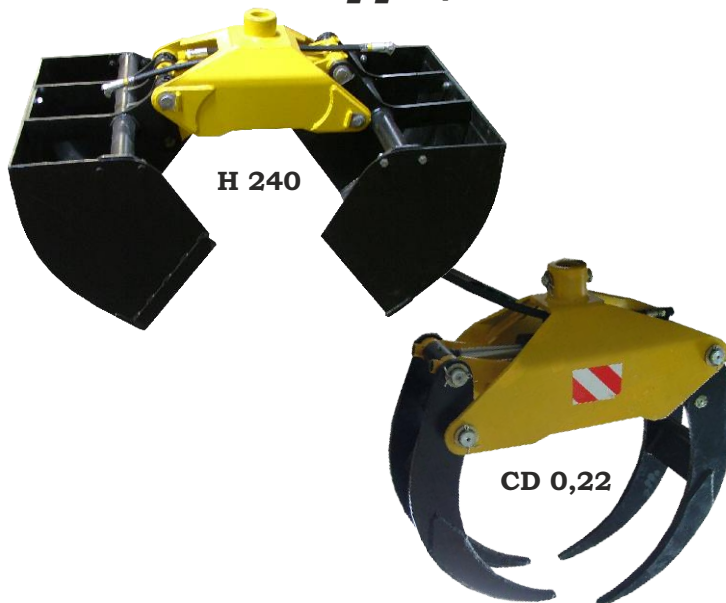


**Möre Timber Grapple – More than 10,000 grapples sold!**

This well proven grapple is available in 10 different sizes with custom mounts, as well as socket or bolt fasteners. The sturdy grapple claw is made of highly-durable Hardox steel and all joints are fitted with bushings and grease nipples to ensure high durability.

Möre Grapple model	MG 0,08	MG 0,14	MG 0,18	MG 0,22	MG 0,25	MG 0,28	MG 0,32	MG 0,45
Art.no.	04117	04007	04008	04009	04032	04157	04172	04270
Max. opening A, mm	740	930	1000	1250	1380	1500	1650	1800
Min. log diameter D, mm	60	80	90	95	120	120	110	200
Grapple area, m <sup>2</sup>	0,08	0,14	0,18	0,22	0,25	0,28	0,32	0,45
Max. lifting capacity, kg	450	700	900	1200	1300	1800	2500	3000
Weight, kg	38	52	68	86	100	110	176	230
Open grapple height H, mm	550	650	710	770	820	860	990	1150
Closed grapple height, mm	340	440	455	500	515	540	590	440
Connection to rotator, type	40 mm	A1	A1	A1,A2	A1,A2,A3	A1,A2,A3	B1, B2	B1, B2
Width, mm	160	200	210	250	360	374	440	700
Oil pressure, kg	160	160	160	160	160	160	190	190
<b>Price</b>	<b>3.740:-</b>	<b>4.310:-</b>	<b>5.460:-</b>	<b>6.930:-</b>	<b>7.930:-</b>	<b>8.390:-</b>	<b>11.500:-</b>	<b>14.500:-</b>

## Brushwood Grapple/Bucket



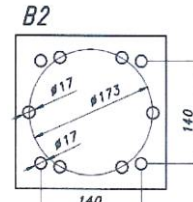
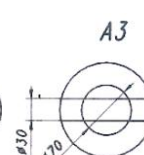
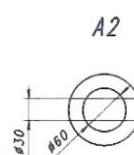
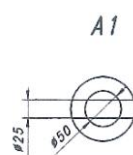
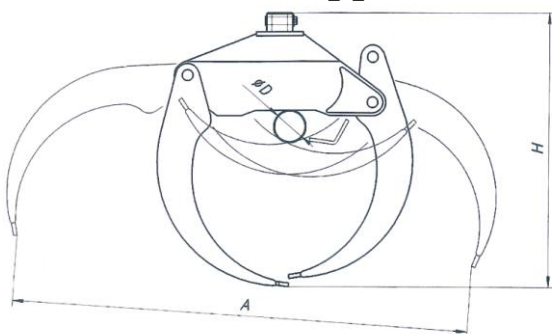
**The Möre Grapple – now with brushwood grapple/bucket!**

The brushwood grapple has been developed in collaboration with Swedish forestry contractors.

The brushwood grapple/bucket is based on the basic design of the renowned Möre Grapple. The two smaller models have four grapple claws made of durable Hardox steel, while the CD 0.30 model is equipped with 7 claws.

Grapple/Bucket	CD 0,18	CD 0,22	CD 0,30	H 240
Art.no.	04168	04169	04176	06051
Max. opening A, mm	1230	1350	1550	660
Claws	4	4	7	
Grapple area, m <sup>2</sup>	0,18	0,22	0,30	
Volume, L				240
Max. lifting capacity, kg	900	1200	1500	1500
Weight, kg	65	78	135	144
Max. height H, mm	760	800	910	700
Height fully open, mm	660	680	700	660
Connection to rotator, type	A1	A1	B2	A1-A3,B2
Width, mm	350	400	500	500
Oil pressure, kg	160	160	160	160
<b>Price</b>	<b>6.620:-</b>	<b>8.240:-</b>	<b>8.640:-</b>	<b>11.300:-</b>

## Dimensional drawing & mounts Möre Grapple



**S-40**  
Snabbfäste



Mount	A1 50mm	A2 60mm	A3 70mm	B2	S-40
Art.no.	04129	04098	04099	04180	04332
<b>Price</b>	<b>420:-</b>	<b>490:-</b>	<b>620:-</b>	<b>660:-</b>	<b>780:-</b>