

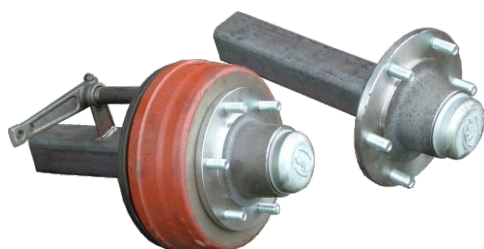
Complete wheels



Thanks to our large volume purchases, we can now offer transport wheels for agricultural, off-road and industrial use at extremely low prices. These wheels are fitted as standard to Möre Maskiner products and as such are well proven and quality assured. Supplied complete with tyres and rims.

Wheels								
Art.no.	40101	40055	40020	40021	40045	40068	40119	
Size	22 x 11.00-8	11.5/80 x 15.3	400/60 x 15.5	400/60 x 15.5	500/50 x 17	500/50 x 17	500/50 x 17	
Layers	4	10	14	14	18	18	14	
Type	Tubeless	Tubeless	Tubeless	Tubeless	Inner tube	Tubeless	Inner tube	
Pattern	ATV	Rib	Rib	Traction	Rib	Rib	Traction	
Bolt holes	4	6	6	6	6	8	6	
Price	1.340:-	1.810:-	2.360:-	2.680:-	5.530:-	5.020:-	5.460:-	

Wheel axles



Separate wheel axles and tow rings for repairs or rebuilds. Components from the Möre Maskiner forestry trailer range are of high quality and are well proven under tough conditions.

Wheel axles brakeless	70x70	80x80	90x90
Art.no.	04042	04047	04213
Price	1050:-	1.550:-	2.360:-
Wheel axles braked	70x70	80x80	90x90
Art.no.	04046	03041	04141
Price	3.150:-	3.620:-	6.140:-

Tow rings



Tillbehör	Art.nr	Pris
Drawbar extension 300mm	03119	1.040:-
K80 for 80mm ball	04120	3.520:-
Scharmüller 40mm ring	04121	1.620:-
Tow ring weldable	04232	420:-
Tow ring bolted	04233	890:-

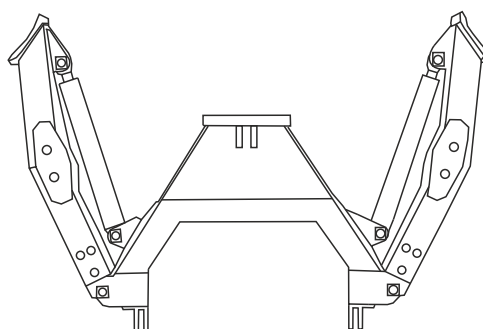
Winch



Medle winch - High-quality, Swedish made hydraulic winch for mounting on the cranes lifting arm. 6-mm thick cable with 121 threads and 35 metres in length. Traction force 1200 kg, weight 45 kg. Radio or manual control. Optional three-way valve with extra hose kit.

Medle winch	Art.no.	Price
Manual control	04013	14.200:-
3-way valve with hose kit	-	2.420:-
Radio-controlled winch	04021	19.300:-
Winch mount, std	-	2.630:-

Three-point support



Hydraulic support legs with three-point mount and universal mounting plate to fit most cranes. Supplied with hydraulic pistons and support feet.

Three-point support	Art.no.	Price
with hydraulic telescopic support legs	04010	19.400:-
with hydraulically retractable support legs (butterfly)	04236	31.300:-